



AMY'S ARCHITECTURE
6700 PEACHTREE LANE
SUNNYVALE, CA, 94088

STRUCTURAL SYSTEM

PAGE 1 of 1

1/4" = 1'

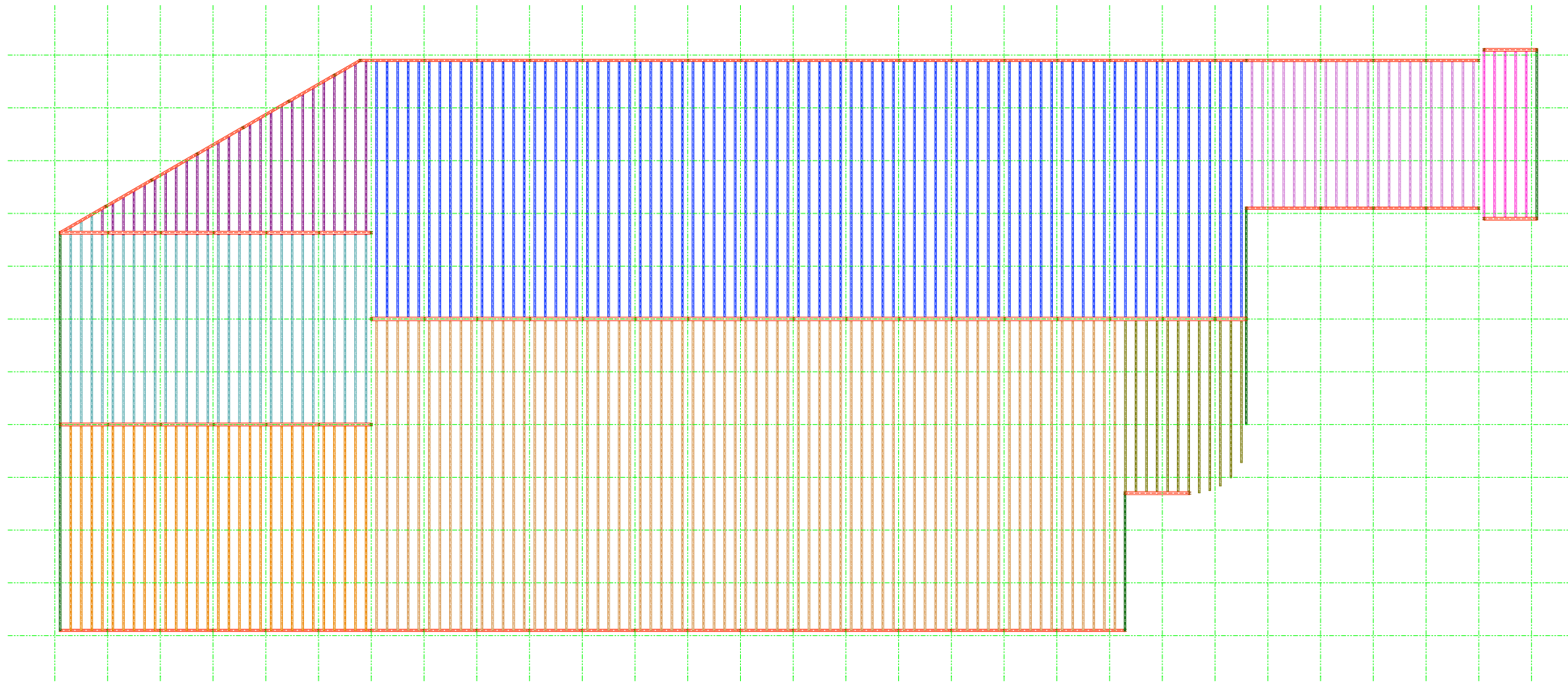
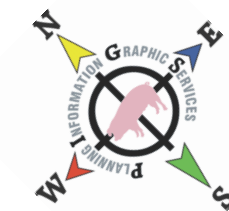
3-17-10

AMY LUNDELL

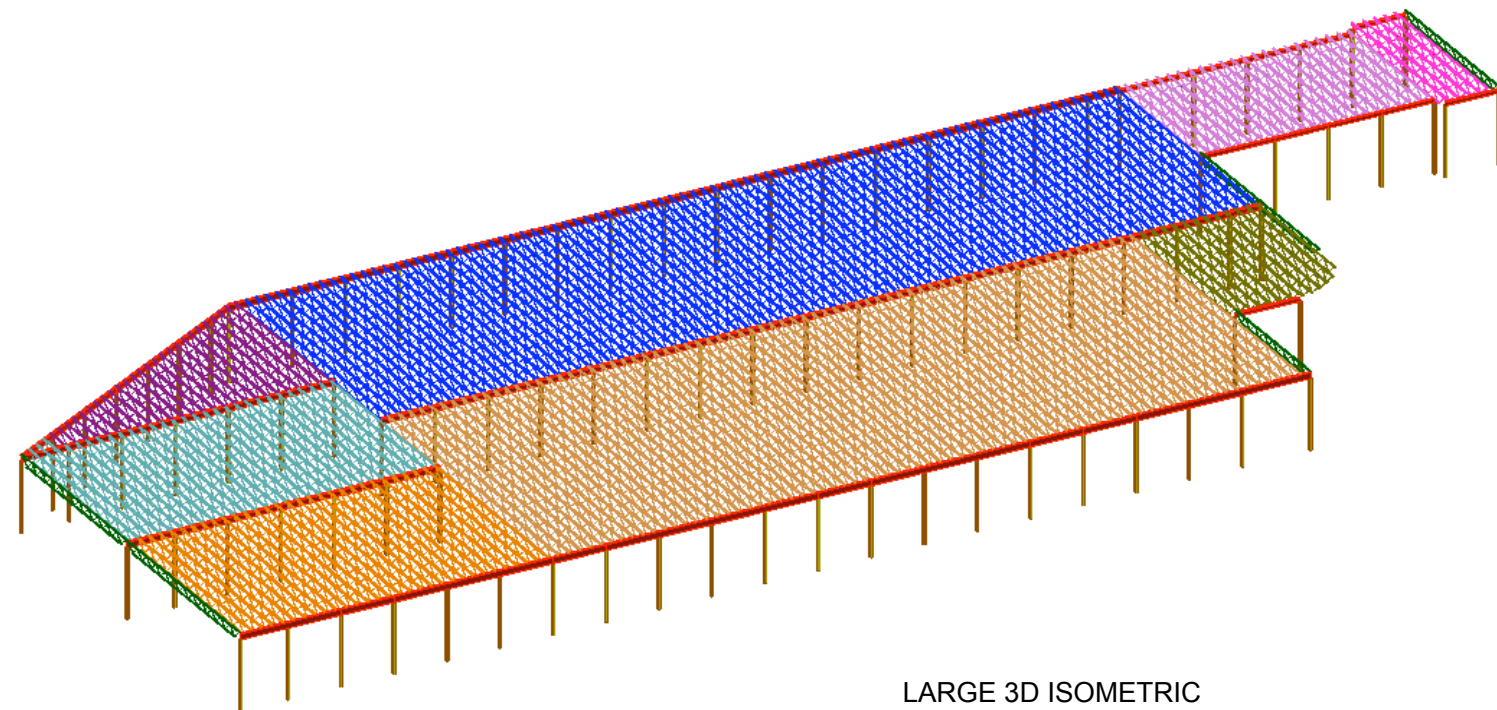
STEVENSON HIGH SCHOOL
TECHNOLOGY EDUCATION DEPARTMENT
TECHNICAL DRAWING PROGRAM
ADVANCED TECHNICAL DRAWING



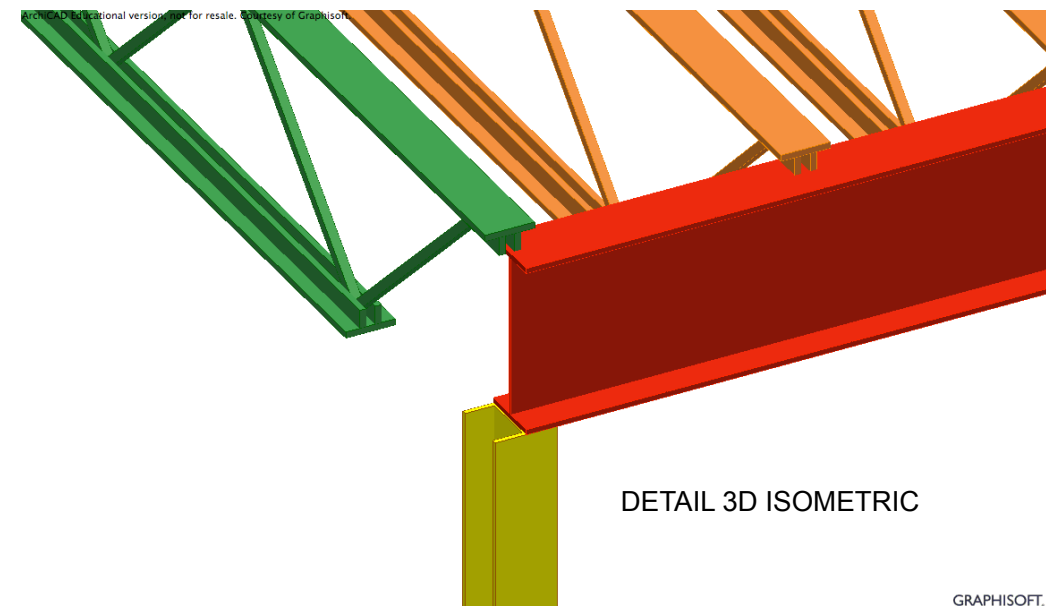
STRUCTURAL SCHEDULE								
TRUSSES			BEAMS			COLUMNS		
SYM	DESIGNATION	QTY	SYM	DESIGNATION	QTY	SYM	DESIGNATION	QTY
ET1	20LH05	1	EB1	W14 x 26	20	CC1	W5 x 16	86
ET2	20LH07	1	EB2	W8 x 24	1			
ET3	18LH05	1	EB3	W14 x 22	20			
ET4	24LH06	1	EB4	W8 x 20	8			
ET5	18LH02	1	EB5	W8 x 24	2			
IT1	20LH09	26	IB1	W12 x 40	17			
IT2	24LH08	29	IB2	W12 x 36	6			
IT3	24LH10	29	IB3	W12 x 36	6			
IT4	28LH13	83						
IT5	36LH13	71						
IT6	20LH08	12						
IT7	18LH07	22						
IT8	20LH09	5						



ArchicAD Educational version, not for resale. Courtesy of Graphisoft.



LARGE 3D ISOMETRIC



DETAIL 3D ISOMETRIC

GRAPHISOFT.